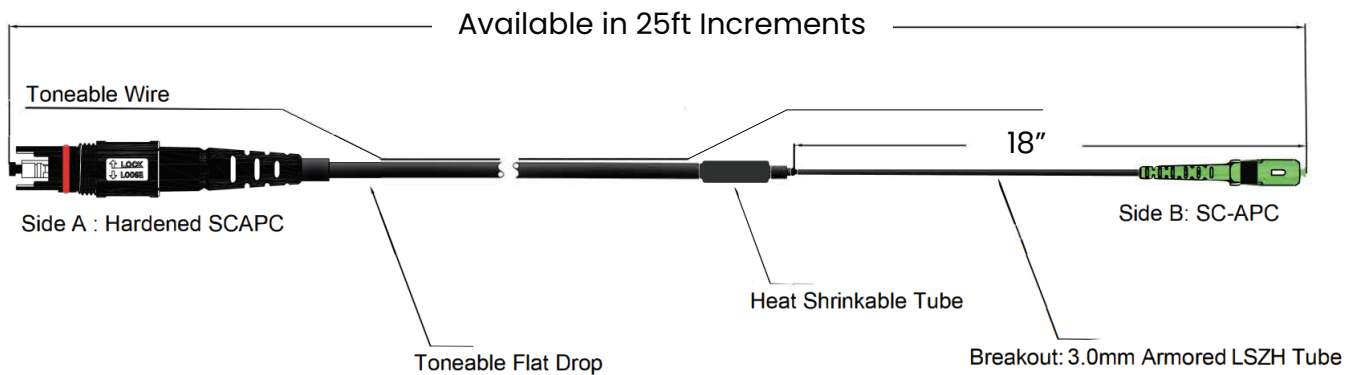
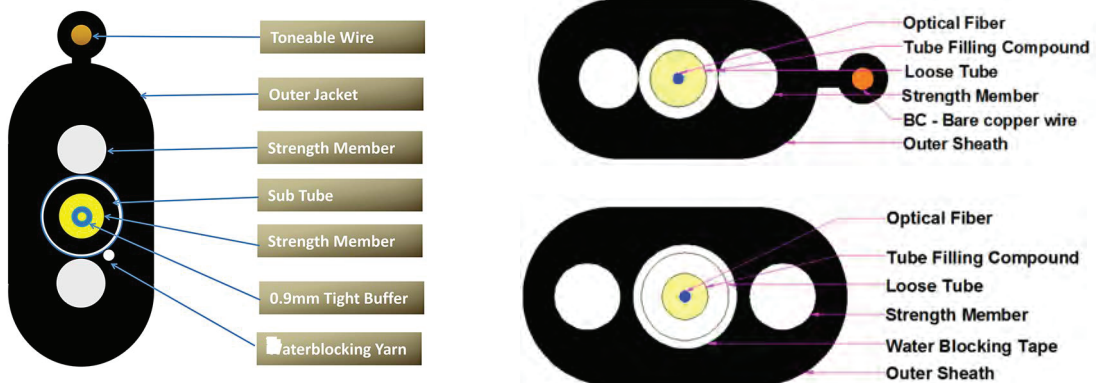


Toneable Flat Drop Cable

Cable Diagram



Cable Cross Section



Technical Parameters

Item	Parameter
Connector A	Hardened SCAPC
Connector B	SCAPC
Insertion Loss (dB) @1310&1550nm	Typical<0.15, Max<0.3
Return Loss (dB)	>60
Pulling Force of Connector A at 0°	230N
Pulling Force of Connector A at 90°	50N
Ingress Protection	IP68
Operation Temperature	-40~+70°C